

WATERCOLOURS

BENETTI DIAMOND 145 | 2022



Representative of Benetti's distinctive style, sophistication and exclusivity, **WATERCOLOURS** is a stunning 44m tri-deck superyacht that embodies fine Italian artistry with exceptional performance.

CONTENTS



- 03. INTRODUCTION
- 04. EXTERIOR
- 11. INTERIOR
- 19. WATER TOYS
- 21. SPECIFICATION
- 23. GENERAL ARRANGEMENT



INTRODUCTION

AT A GLANCE

LENGTH 44.06M (144' 07")

DRAFT 2.30M (7' 07")

BEAM 9.06M (29' 09")

GUESTS 12

CABINS 5

CREW 8

CRUISING SPEED 13 knots

BUILT 2022



Built by the renowned Benetti shipyard, this yacht is a true masterpiece in luxury. With an artful balance of cutting-edge design and luxurious features, the yacht offers an unparalleled experience of adventure and relaxation, enhanced by state-of-the-art stabilizers for ultimate cruising comfort.

EXTERIOR

INSPIRING BLISSFUL RELAXATION



Part of the acclaimed Diamond 145 series, the beautiful exterior design is Giorgio M. Cassetta's creation. Recognised by her refined superstructure, high hull sides, and a contemporary flared bow, the yacht's sleek profile exudes understated elegance.

Guests have multiple spaces to enjoy, including a spacious sundeck with alfresco dining, a foredeck featuring built-in sun pads perfect for sunbathing or sunset cocktails, and a main aft-deck dining area for relaxed outdoor meals.

Boasting superlative amenities across all decks, WATERCOLOURS' exterior spaces inspire rest and rejuvenation, with the ultimate spot for onboard relaxation being her foredeck jacuzzi.

Particular attention has been paid to the layout of the yacht to maximize her indoor and outdoor spaces, including an elegant beach club area and expansive swim platform ensuring seamless access to the water.







Watercolours

SWIM PLATFORM



BEACH CLUB



UPPER DECK



UPPER DECK



SUNDECK



SUNDECK



FOREDECK



FOREDECK



INTERIOR

**TIMELESS ELEGANCE MEETS
CONTEMPORARY COOL**



Refined and understated, WATERCOLOURS' interior effortlessly evokes a sense of calm and serenity.

Brought to life by the in-house Benetti team, her cool-contemporary interior is defined by bright neutral tones, warm furnishings, and hints of gold that perfectly complement the extensive use of marble throughout the yacht. This sophisticated palette, combined with eye-catching design elements, creates an inviting atmosphere that reflects the seamless harmony between the interior and exterior spaces.

The yacht accommodates 12 guests in supreme comfort, with 5 well-appointed cabins, including a full-beam master cabin. Each space is meticulously crafted to offer comfort and sophistication, with no expense spared in providing a relaxing and lavish onboard experience. With an impressive 456GT enclosed volume, WATERCOLOURS offers ample space for guests to enjoy, whether lounging in the salon or retreating to their private quarters.





BRIDGE DECK



MAIN SALOON



MAIN SALOON





MAIN DECK

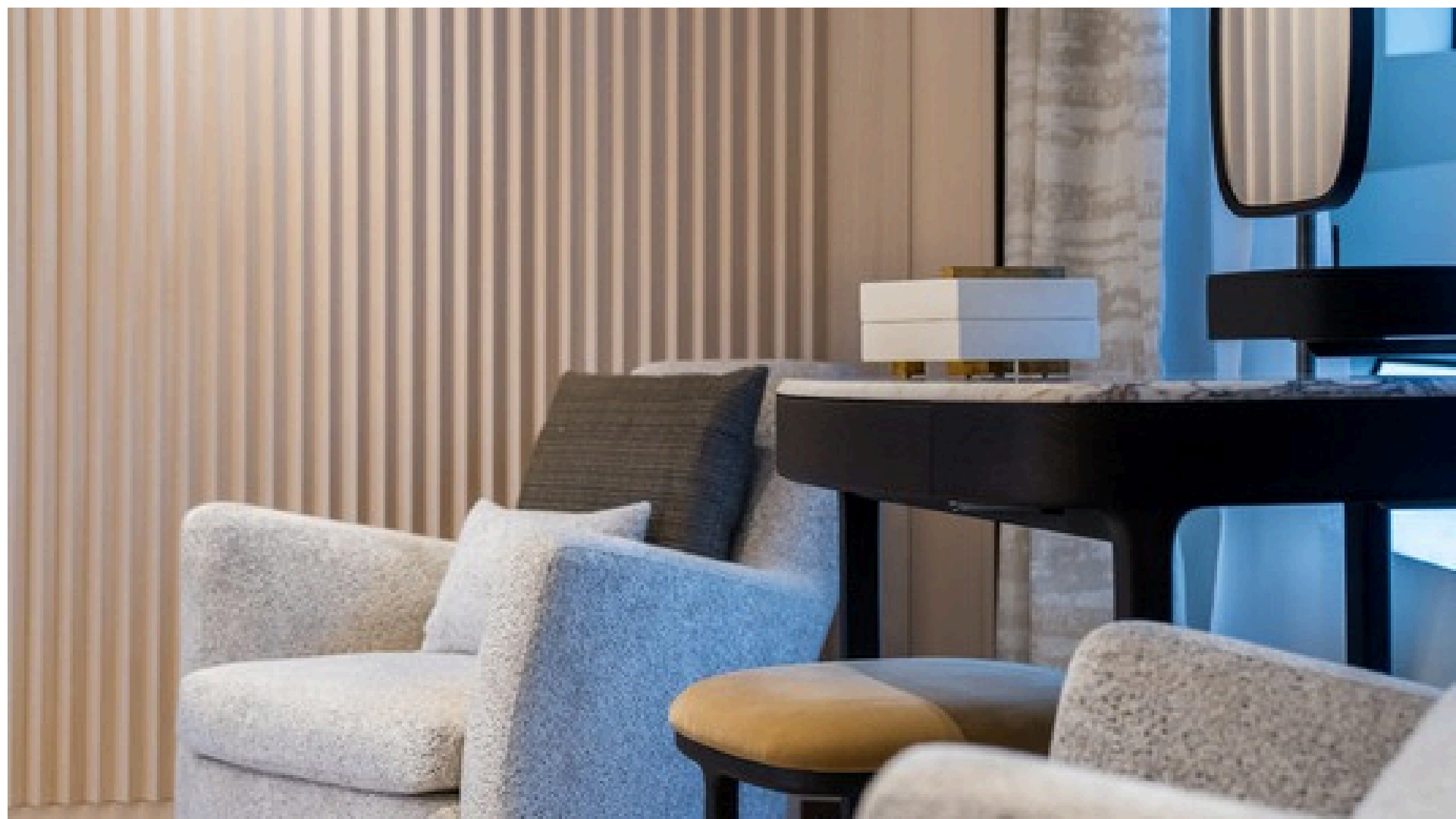




MASTER CABIN



MASTER CABIN





MASTER ENSUITE



VIP CABINS



VIP CABINS





TWIN CABINS



WATER TOYS

FOR INFINITE FUN



For the adventurous at heart, WATERCOLOURS is fully equipped with an exciting array of **water toys**, and **professional fishing gear**, promising **hours of fun and exploration** in the water.

And for those who prefer a more tranquil experience, she offers a variety of equipment for a more **peaceful, serene escape**.

- Chase boat: 42' Scout boat model 425 LXF, 1800 HP
- Tender: Brand new Williams 625 Diesel
- Jetski Seadoo RXP- X 300
- Jetski Seadoo Spark
- 4x Seabobs
- 1x Fliteboard
- 4x Paddle boards
- Snorkeling gear
- Inflatables
- Waterskis



SPECIFICATIONS



Length: 44.06 metres (144' 07")

Beam: 9.06 metres (29' 09")

Draft: 2.30 metres (7' 07")

Gross Tonnage: 456 GT

Crew: 8

Built: 2022

Builder: Benetti

Cruising Speed: 13 knots

Maximum Speed: 15 knots

ACCOMODATION

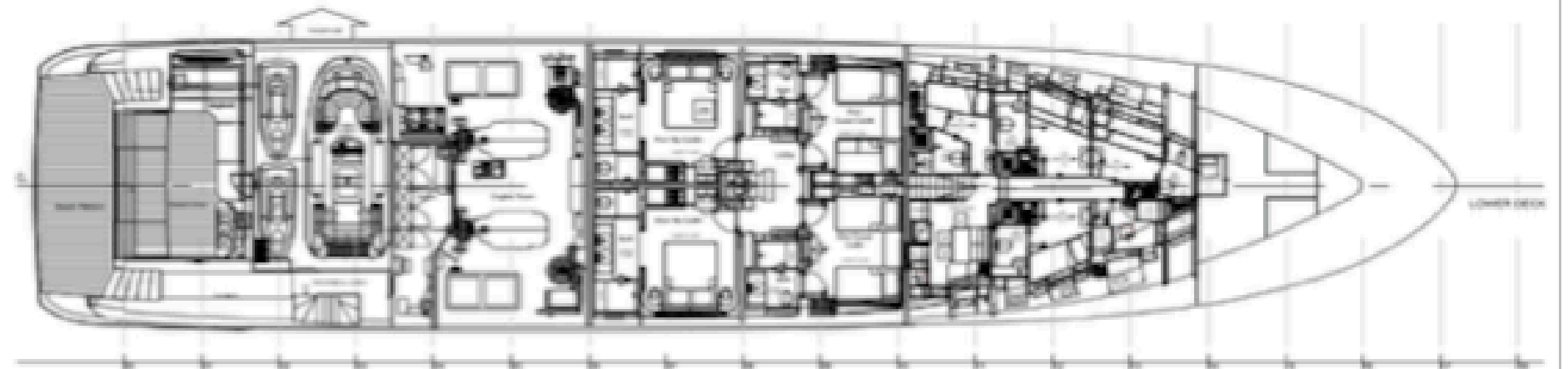
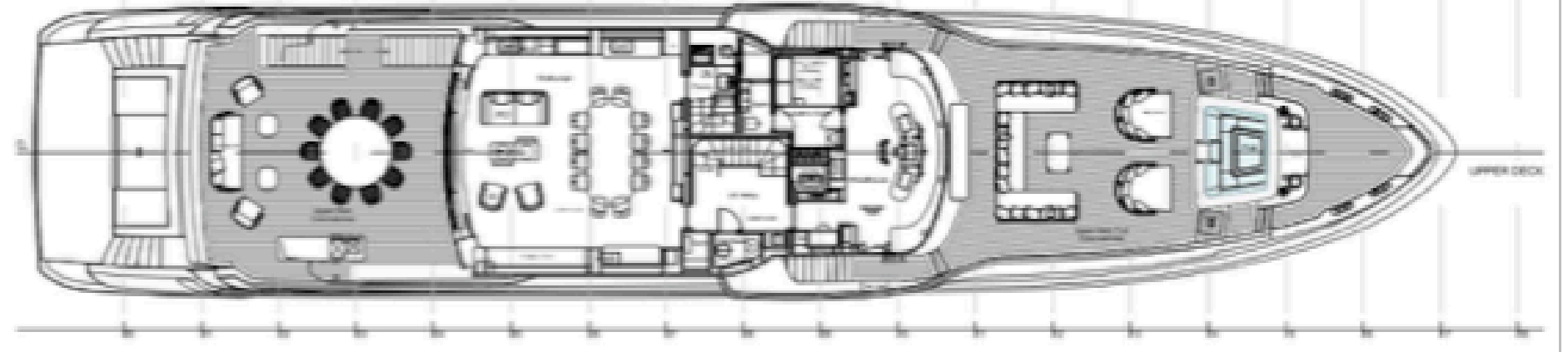
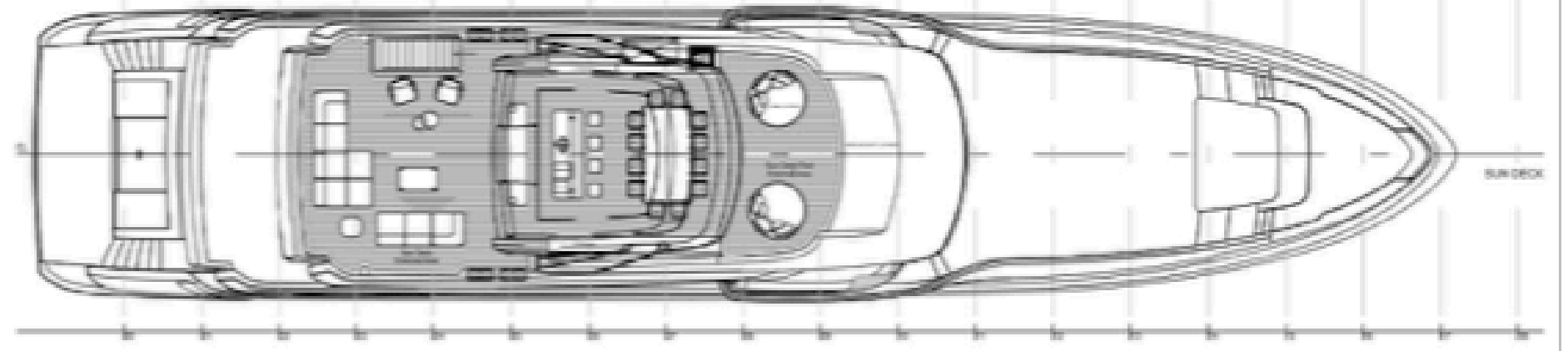
Guests: 12

Cabins: 5

Cabin Configuration: 1 Master Cabin, 2 VIP Cabins, 2 Twin Cabins with Pullman



GENERAL ARRANGEMENT



MEET THE TEAM

IT'S THE LITTLE THINGS



CAPTAIN BENJAMIN FISHER

Captain Ben brings over 25 years of maritime experience to the helm of WATERCOLOURS, with a career that spans charter, private yachts, and offshore operations. A seasoned and hands-on leader, Ben holds a USCG 3000GT license and has expertly captained vessels across the U.S. East Coast, the Bahamas, Caribbean, and Central America. His calm, guest-focused demeanor ensures a safe and seamless charter experience, while his extensive background in engineering and shipyard projects brings added confidence to every voyage.

Having served as both build captain and engineer on multiple yachts, including a lead role during the construction of the 98' Raybury, Ben is as comfortable managing refits as he is orchestrating unforgettable guest experiences. His tenure includes operating vessels up to 265 feet and running dynamic charter programs from the Exumas to New England.

Whether towing sport fishers for diving adventures, leading high-end charters, or maintaining impeccable yacht standards, Captain Ben is known for his professionalism, approachability, and dedication to excellence.

FIRST OFFICER LYNTON DEDEKIND

Lyndon grew up in a small German farming community called Warburg, in the KwaZulu-Natal district of South Africa. After high school he finished his Master's Degree in Environmental Sciences, Lynton is an avid fisherman, and those hours on the water sparked a keen interest in the yachting industry, which he joined in 2016.

Lyndon has an incredibly positive attitude and is always willing to help wherever needed. Guest satisfaction and safety are his top priorities. With his smile and happy demeanour, you will find his company refreshing. Lynton is ready to make your experience on WATERCOLOUR a memorable one!



CHIEF ENGINEER JORGE BEJARANO

Jorge is an engineer by profession and a sailor by nature. He discovered his passion for the sea at an early age and decided to enroll in nautical school. Upon graduation, he began his career on merchant ships, sailing throughout the Pacific and the Caribbean.

After years on the commercial side, Jorge made the leap to the yachting industry, thus giving his career a new direction, and allowing him to explore new areas in the Mediterranean and the Atlantic. He has accumulated 15 years of experience since switching to the refined luxury of the yachting world. Some of his interests include fishing, camping, cooking, and woodworking.



CHEF LINKIE MARAIS

Linkie is an accomplished chef, lifestyle expert, and TV personality with a passion for living life to the fullest. After competing on the popular show Food Network Star Season 8, Linkie began traveling the country, leading demos, classes, and high-end events at Food and Wine Festivals, corporate functions, and exclusive private parties.

Linkie has catered and created cakes and pastries for some of the most well-known figures in the world, including President Obama, Colin Powell, Frankie Valli, Jack Nicklaus, and many more. Known for an exceptional eye for detail, Linkie has been trusted with some of the most elite events across the country.

In November 2015, Linkie ventured into the world of yachting and quickly fell in love with the high energy and superior standards of the industry. With over 10 years of experience at sea, Linkie has honed a unique set of skills that blend culinary creativity with adaptability in fast-paced, high-pressure environments.

With a great sense of adventure, a fast-learning mindset, and a love for challenges, Linkie thrives in dynamic environments. With over 200 original recipes, Linkie is always pushing the envelope when it comes to cuisine and is especially skilled at sourcing provisions in even the most remote destinations.





CHIEF STEWARDESS

Nicole Kruger grew up in a small town near Cape Town, South Africa. After she finished high school, she did an introduction course in Human Resource Management. While taking her courses, she took a waitressing job, which caused her love of people and socialising to grow.

Spending most of her life in the same place, Nicole deduced she wanted a change of scenery. She moved upstate to Johannesburg to pursue better job opportunities, and landed a job doing administrative work for a security company. Despite the new job and locale, Nicole still felt called to go see the world. She found the perfect fit in yachting, merging together her love of people and new places.

Nicole has travelled and gained a lot of experience during the last 2 years working on super yachts. If you haven't already guessed - she is a very social person and loved to have a laugh. She can (and will) talk to anyone!



SECOND STEWARDESS

Say Hi to Tarn Phillips! With a passion for providing exceptional guest experiences and a meticulous eye for detail, Tarn brings professionalism, warmth, and dedication to every charter.

Having served as Sole Stewardess on M/Y Perfect Harmony and as Second Stewardess on M/Y Amore, she has honed her skills in service, provisioning, interior management, and guest relations.

Tarn thrives in fast-paced environments and takes pride in maintaining the highest standards onboard. Her love for the ocean and nature fuels her enthusiasm for the yachting lifestyle, making her a valued and vibrant member of any crew.



STEWARDESS / DECKHAND

Say Hi to Genevieve Masters! She was born in Hong Kong, but grew up in the UK in Southeast England. After High School she earned a field hockey scholarship to a college in the US. She then spent nearly a decade in the corporate world in London, working international sports event management, interior design as a Personal Assistant, and marketing at a private equity firm. In the summer of 2024, she made a complete career shift and joined the yachting industry!

Sports have always been a big part of Gen's life. She played competitive field hockey growing up and is a die-hard Arsenal fan. She is always up for an adrenaline rush and loves getting involved in sporting activities with guests. Now that she is based on the ocean, she has discovered a passion for diving and is very excited to explore that world further. Gen is a huge karaoke enthusiast and can be a bit reluctant to share the mic when her inner Britney takes over!



DECKHAND

Coenraad Stapelberg or Coenie (pronounced Koo-nee) is a lively 24 year old from South Africa and has been in the yachting industry for 3 years. Before he started working on big beautiful boats, he was a safari guide and wildlife photographer for 5 years. Coenraad came to yachting to follow his dream of making people's lives better with music. He is an animal lover with 2 cats (Cat and Oreo) and 2 dogs (Loha and Tessa living back home in Pretoria.)

In the next 5 years he sees himself still traveling the world with his guitar, longboard, and surfboard, making music for new friends, telling stories around campfires and taking home all the memories and pictures he can.



DECKHAND

Andrew King is originally from the Pacific Northwest. He joined yachting in 2019 after working on commercial fishing trawlers in Alaska. He also liked that the weather was warmer and he wouldn't always smell like fish.

Andrew's passion for seafaring is only exceeded by his sense of adventure, which go hand in hand. He plans to work as an officer on container ships after yachting. In his free time, Andrew loves to cook, camp, and dance.

The **CAPTAIN** and his **crew** look forward to
welcoming you onboard WATERCOLOURS.

